

CONFIGURATION OF AM-2000 DENTAL MICROSCOPE

Model No.	Magnification	Binocular/Eyepiece	Eyepiece	Camera	Objective Lens	Support System
AM-2000	Manual 5-Step	0-180°inclinalbe with pupillary distance adjustment	12.5X/18B	Nil	250mm Objective with fine focus	Floor Stand or Fixed Stand or Ceiling Mount or High-position Wall Mount or Low poriston Wall Mount
AM-2000V	Manual 5-Step	0-180°inclinalbe with pupillary distance adjustment	12.5X/18B	Nil	250-430mm Objective with fine focus	
AM-2000VC	Manual 5-Step	0-180°inclinalbe with pupillary distance adjustment	12.5X/18B	ALL-CAM2	250-430mm Objective with fine focus	
AM-2000VC-4K	Manual 5-Step	0-180°inclinalbe with pupillary distance adjustment	12.5X/18B	ALL-CAM4	250-430mm Objective with fine focus	

Accessories of AM-2000 Dental Microscope

Description of goods	Purpose
Straight Binocular Head	Observation binocular is parallel to optic axis of zoom ratio system of microscopes
45° Binocular Head	Observation binocular is at 45° angle to optic axis of zoom ratio system of microscopes
Binocular Extender(90°) with Angle Rotation Device	Used with sugical microscopes, it turns the light transmission direction 90° and realizes the function of turning the microscope within a certain range while keeping the binoculars level
F200mm Fixed Focus Objective Lens	200mm working distance, with a fine adjustment range of 12mm
F300mm Fixed Focus Objective Lens	300mm working distance, with a fine adjustment range of 12mm
F400mm Fixed Focus Objective Lens	400mm working distance, with a fine adjustment range of 12mm
Variable Objective Lens (200mm to 310mm)	Able to work under a wide range of working distance of 200-310mm
Variable Objective Lens (250mm to 430mm)	Able to work under a wide range of working distance of 250-430mm
Beam Splitter	Used with surgical microscopes, to split the beam and output the light source proportionally through a standard mechanical interface
Camera Adapter	Used to connect external camera when used with operating microscope
Camcorder Adapter	Used to connect external camcorder when used with operating microscope
2-D Rotation Binocular Assistant Scope	Used with surgical microscope, can achieve rotating in a specific direction when used to connect external binocular assistant scope
3-D Rotation Binocular Assistant Scope	Used with surgical microscope, can achieve rotating in three direction when used to connect external binocular assistant scope
Full Function Camera	Used with surgical microscope, it can realize the functions of taking pictures, video recording, image review, picture comparison, measurement, etc.
FS-1 / FS-2 Wireless Foot Switch	Controlling photography&recording when use with Full HD camera
Wireless Transfer Kit	Used with surgical microscope, for wireless transmission of real-time images
Monitor Bracket	Used with surgical microscope, Used to install the monitor on the microscope post
Fixed Floor Stand	Stand for fixing the surgical microscopes to floor
Ceiling Mount	Bracket for fixing the surgical microscopes to ceiling
Wall Mount	Bracket for fixing the surgical microscopes to wall
950mm Extension Arm	Larger wingspan range, suitable for special use situations and environments with higher wingspan length requirements



ALLTION®

Alltion(Guangxi) Instrument Co., Ltd.

Address: No 10, 3rd Road, Wuzhou Industrial Park, Wuzhou, Guangxi, China, 543000

Tel:+86-774-2836101(3line) Fax:+86-774-2836192

Email:sales@alltion.com or sales@alltion-microscope.com

Web site: www.alltion.com or www.alltion-microscope.com

2023.7 Printed in China



Distributor

AM-2000 DENTAL MICROSCOPE

Solution for the pain points of users, leader of segment market of B class.

■ Knob-shifted Pupillary Distance Adjustment
Upgradable Binocular



Thumb-shifted Adjustment

Features of the Product:

The objective lens of entire series are designed with a thumb-shifted adjustment. The variable objective lens has a focusing range of 200mm-310mm or 250mm-430mm, and a fixed-focus objective lens has a fine-focusing range of 12mm.

Advantages of the Product

With the use of an ergonomic hand grip, users can realize one-handed manipulation and focusing of the microscope, which greatly improves the convenience of use.

Benefits for Customer:

Users can release one hand to keep practicing, ensuring the ease of use of the surgical microscope.





Optical Performance

Features of the Product:

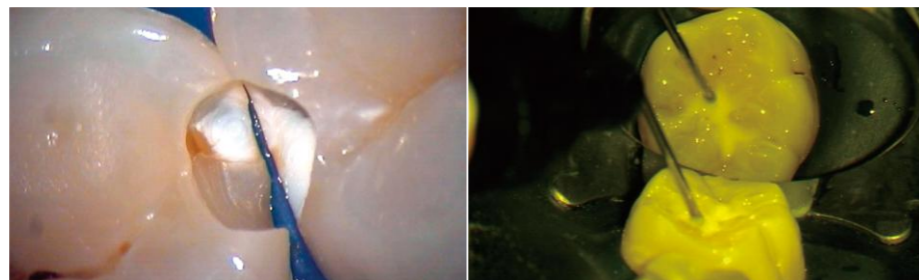
Excellent controlling for scatter light&Multi-coated with all parts of optical element.

Advantages of the Product:

Excellent design for scatter light can eliminate over 90% of harmful scatter light out of the field of view. Multi-coated can raise transparent rate of light over 20% comparing with single layer coating.

Benefits for Customer:

Without harmful scatter light,but with high definition,high-resolution,clearly for users observing, effectively reduce visual fatigue to protect users' eyes.



decay

sealant



Integrated DC Power Supply

Features of the Product:

Provide 5V and 12V DC power supply interface on the microscope main mirror.

Advantages of the Product:

Exterior camera or cellphone could be charged here. No need to worry about endurance of electronics products.

Benefits for Customer:

Two types of normal voltage output available for almost all kinds of electronics products. Alltion also can customize a dedicated po-wer supply cable.

QUALITY VISIBLE



Medical Adapter for Power Supply

Features of the Product:

Use 12V medical adapter for power supply.

Advantages of the Product:

Power bank could be used as power supply.

Benefits for Customer:

Provide users with guaranteed security and considerable convenience.

Integrated DC Power Supply

Features of the Product:

Provide 5V and 12V DC power supply interface on the microscope main mirror.

Advantages of the Product:

Exterior camera or cellphone could be charged here. Not need to worry about endurance of electronics products.

Benefits for Customer:

Two types of normal voltage output available for almost all kinds of electronics products. Alltion also can customize a dedicated po-wer supply cable.



No Exposed Cables

Features of the Product:

The whole machine uses the internal wiring layout, and no exposed cables can be seen.

Advantages of the Product:

The whole machine is simple and beautiful, and the operation is flexible.

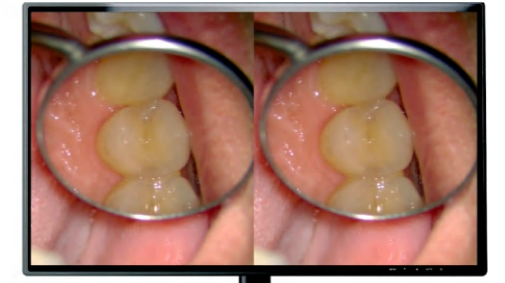
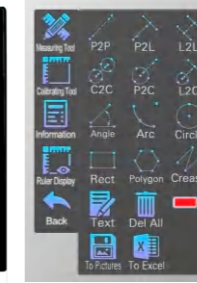
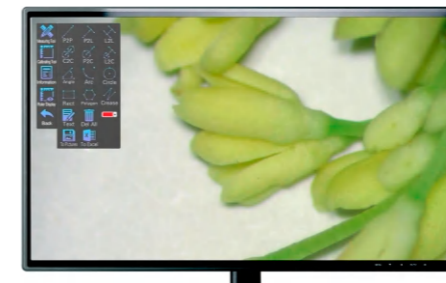
Benefits for Customer:

Without the pulling of an external cable, the control of the microscope head will be more flexible, and the microscope can perfectly integrate the use environment of the clinic.



Exclusive Camera Solution

A full function full HD camera system tailored for AM-2000, which perfectly combines high-value, high-performance and balance.



A full function full HD camera system comes with photo to photo comparison, photo and real-time image comparison, measurement and other functions

Convenient Maintenance

Features of the Product:

Modular design.

Advantages of the Product:

Quickly troubleshoot faulty modules, quickly repair and maintain.

Benefits for Customer:

The troubleshooting and repair of machine failures can be completed within 10 minutes.



Wireless Foot Pedal



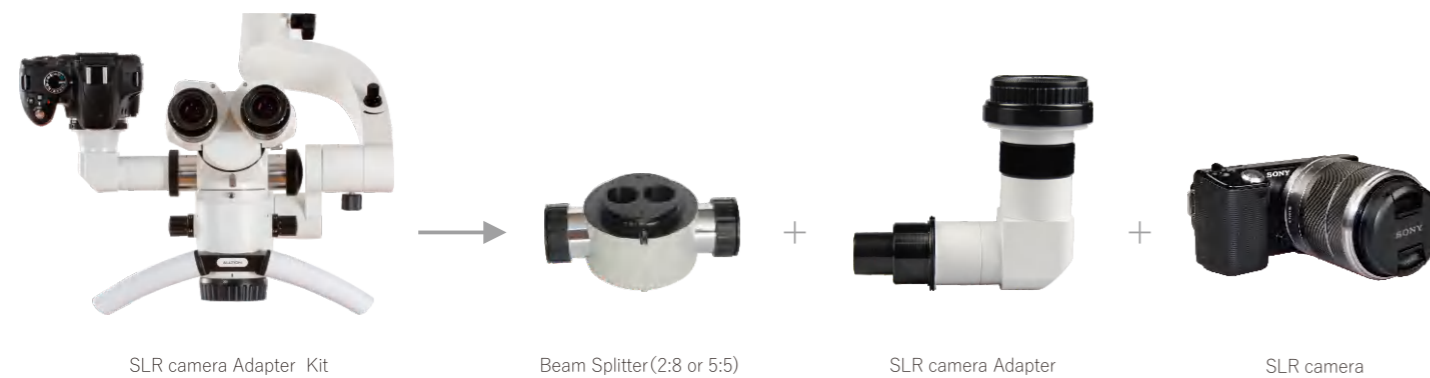
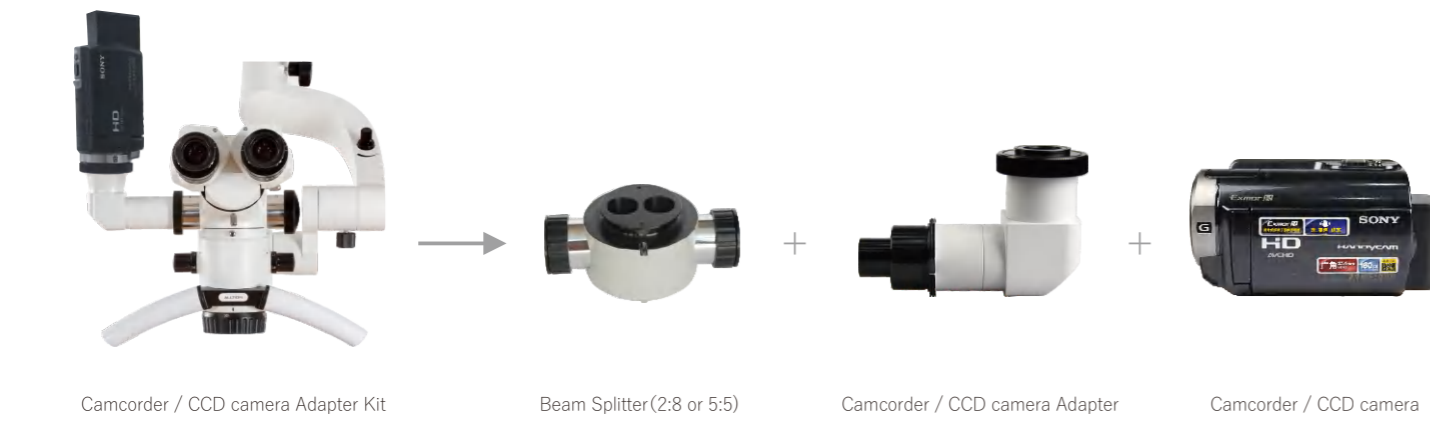
Mouse



Button

Three types of photography and recording

Recommended Configuration



Practical Configuration

AM-2000 Fixed-focus Type

Manual 5-Step magnification
 0-180° inclinable binocular with pupillary distance adjustment
 120° connecting arm
 F250mm fixed focus objective lens
 LED lighting(5 modes)
 Mobile floor stand

AM-2000V Variable Type

Manual 5-Step magnification
 0-180° inclinable binocular with pupillary distance adjustment
 120° connecting arm
 Variable objective lens (250mm to 430mm)
 LED lighting(5 modes)
 Mobile floor stand



Camera Configuration

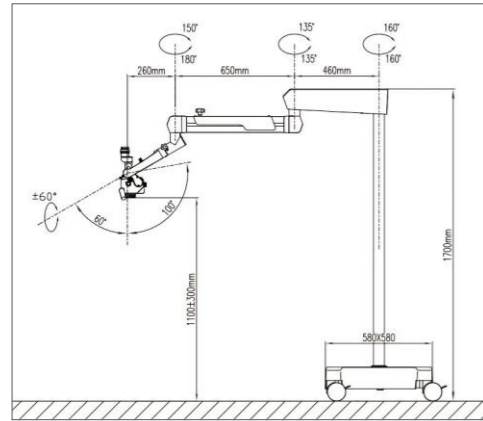
AM-2000VC Fixed-focus Camera Type

Manual 5-Step magnification
 0-180° inclinable binocular with pupillary distance adjustment
 120° connecting arm
 Variable objective lens (250mm to 430mm)
 ALL-CAM2
 LED lighting(5 modes)
 Mobile floor stand

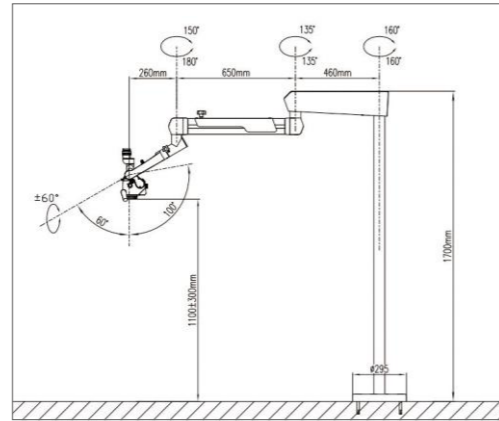
AM-2000VC-4K Variable camera Type

Manual 5-Step magnification
 0-180° inclinable binocular with pupillary distance adjustment
 120° connecting arm
 Variable objective lens (250mm to 430mm)
 ALL-CAM4
 LED lighting(5 modes)
 Mobile floor stand

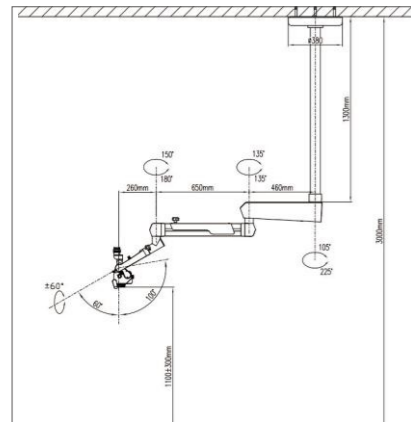
Various Pictures of AM-2000 Stand



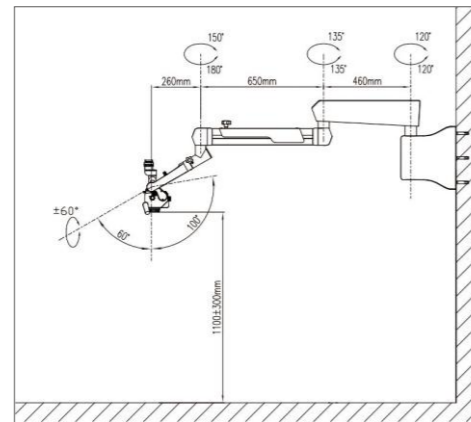
Mobile Floor Stand



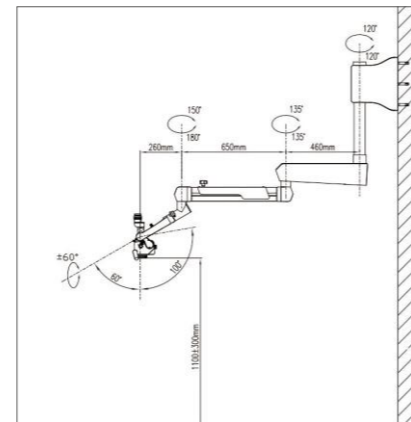
Fixed Floor Stand



Ceiling Mount



Low-position Wall Mount



High-position Wall Mount

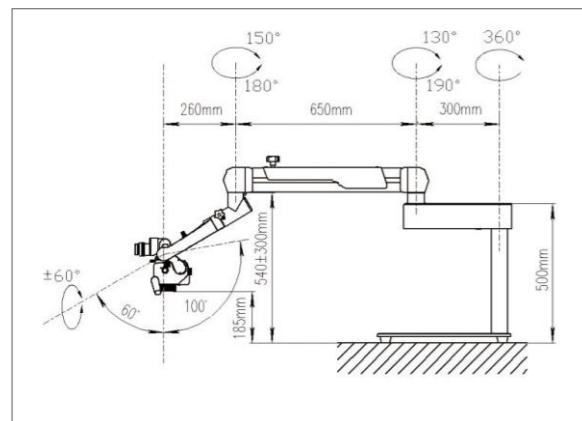


Table Mount

Technical Parameters of AM-2000 Dental Microscope

Optical system	Microscope body	Standard configuration	Optional
	Magnification System	Manual 5-step	
	Objective lens	Variable objective lens(F200-310mm)	Fix-focus objective lens(F250mm)/ Variable objective lens(250-430mm)
	Zoom range	Under the 250mm fixed-focus objective lens, the magnification is 3.4/5.3/8.5/13.6/21X	
	Binocular	0-180° variable-angle turntable pupil distance adjustment binocular	45° binocular
	Adjustable interpupillary distance	50-75mm	
	Eyepiece	12.5X/18B	
	10X/21B		
	Lens technology	Apochromatic technology	
Diopter	±6D		
Optical extender	30° angle binocular extender + rotation device	45°/90° angle binocular extender + rotation device	
Illumination system	LED lights	Life ≥ 50000 hours	
	Illuminance	The illuminance reaches 80,000lx when equipped with a 250mm fixed-focus objective lens	
	Color rendering index	>85%	
	Color temperature	5700K	
	Light spot	No filter large/medium/small spot, orange filter, green filter	
Electrical System	Camera module	ALL-CAM2/ALL-CAM4	
	Rated voltage	Adapter input: AC100-240V, 50/60HZ, output: DC12V/3A	
	Input power	35-60VA	
Stand system	Mobile floor stand	Ceiling mount, Low-position wall mount, High-position wall mount, Fixed floor stand, Table clamping mount, Tablet mount	

Optional Camera Parameters

Type	ALL-CAM2	ALL-CAM4
Photosensitive chip	1/2 inch SONY high sensitivity, low noise CMOS	1/1.8 inch SONY 8 million pixels high sensitivity, low noise CMOS
Resolution	HD 1080P 60FPS(16:9)	4K(3840*2160)
Photo size	2M,4M,8M	8M (3840*2160)/2M (1920*1080)
Storage	External 64G U disk	External 64G U disk
Data format	Photo: JPG format, video: MP4 format	Photo: JPG format, video: MP4 format
Image transmission	Internal WIFI/external WIFI real-time multi-point transmission, HDMI high-definition real-time transmission	Built-in WIFI real-time multipoint transmission, HDMI real-time 4K transmission
Basic functions	Freeze, take photo, video, auto exposure, white balance, echo, crosshair	Freeze, take photo, video, auto exposure, white balance, echo, crosshair
Image effect	Exposure value, optimal brightness, gain, red gain, blue gain, saturation, contrast, sharpness, metering area, HDR, parameter settings	Exposure value, optimal brightness, gain, red gain, blue gain, saturation, contrast, sharpness, metering area, HDR, parameter settings
Advanced Functions	Flip horizontally/vertically, reduce/enlarge, A0I, image contrast	Flip horizontally/vertically, reduce/enlarge, A0I, image contrast
Image transmission	WIFI multi-point real-time transmission, HDMI high-definition transmission	WIFI multi-point real-time transmission, HDMI high-definition transmission
System settings	Automatic naming/self-naming, time display/hidden time, display LOGO/hide LOGO, language, resolution, naming settings, system update, factory reset, internal WIFI/external WIFI, version information	Automatic naming/self-naming, time display/hidden time, display LOGO/hide LOGO, language, resolution, naming settings, system update, factory reset, internal WIFI/external WIFI, version information
power supply	5V	12V
power	6.5W-9W	10-25VA
computer system	Windows system	Windows system
Phone system	Android system, IOS system	Android system, IOS system